

1
L2
Garden Detail
SCALE: 1/8"=1'
GARDEN

Canopy			
Code	Quantity	Scientific Name	Common Name
GT	2	<i>Gleditsia triacanthos</i> var. <i>inermis</i> 'Shademaster'	Shademaster Thornless Honeylocust
PS	2	<i>Pinus sylvestris</i>	Scots Pine

Understory			
Code	Quantity	Scientific Name	Common Name
AP	6	<i>Aesculus parviflora</i> var. <i>serotina</i> 'Roger's'	Roger's Bottlebrush Buckeye
MD	54	<i>Malus domestica</i> 'Golden Delicious'	Golden Delicious Apple Tree
PA	5	<i>Pinus aristata</i>	Bristlecone Pine

Shrubs			
Code	Quantity	Scientific Name	Common Name
CH	15	<i>Cotoneaster horizontalis</i>	Rock Cotoneaster
HQ	6	<i>Hydrangea quercifolia</i> 'Snow Flake'	Snow Flake Oakleaf Hydrangea
RP	7	<i>Rhododendron</i> 'PJM'	PJM Rhododendron
VC	8	<i>Viburnum carlesii</i> 'Compactum'	Dwarf Koreanspice Viburnum

Groundcovers / Grasses / Perennials / Annuals			
Code	Quantity	Scientific Name	Common Name
AE	69	<i>Adiantum pedatum</i> 'Miss Sharples'	Miss Sharples American Maidenhair Fern
CA	35	<i>Calamagrostis x acutiflora</i> 'Karl Foerster'	Karl Foerster Feather Reed Grass
DS	21	<i>Dicentra spectabilis</i> 'Gold Heart'	Gold Heart Bleeding Heart
HM	29	<i>Hakonechloa macra</i> 'Aureola'	Golden Japanese Forest Grass
HP	32	<i>Heuchera</i> 'Peach Flambe'	Peach Flambe Coral Bells
HS	36	<i>Hosta sieboldiana</i> 'Elegans'	Plantain Lily
IH	1769	<i>Impatiens hawkerii</i> 'Divine F1 Scarlet Red'	Divine F1 Scarlet Red New Guinea Impatiens
LA	129	<i>Lavandula angustifolia</i> 'Hidcote Blue'	Hidcote Blue Lavender
PT	50	<i>Perovskia atriplicifolia</i> 'Taiga'	Russian Sage
ST	108	<i>Sedum telephium</i> 'Autumn Joy'	Autumn Joy Sedum
VM	587	<i>Vinca minor</i> 'Ralph Shugert'	Ralph Shugert Periwinkle

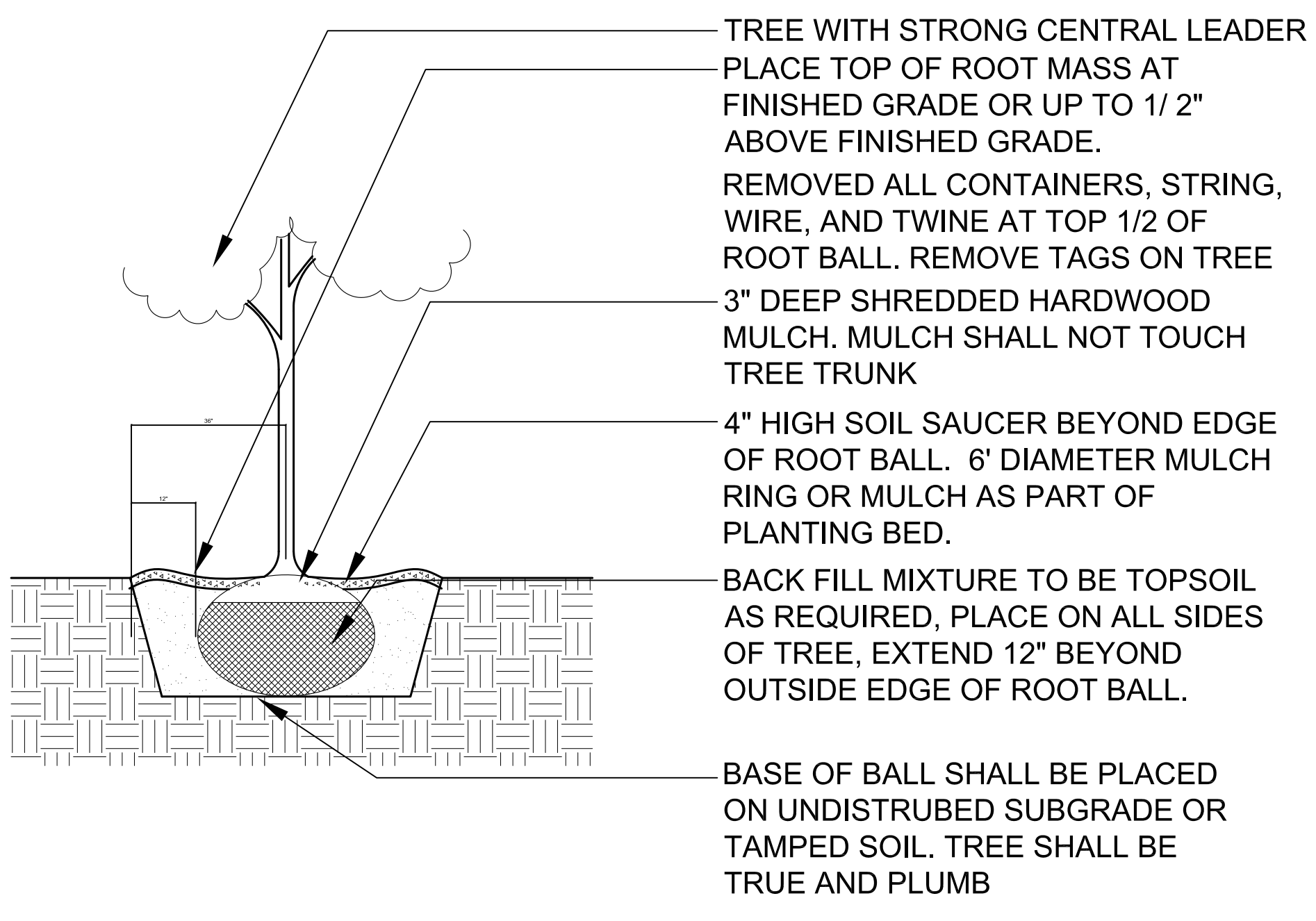
Vegetables			
Code	Quantity	Scientific Name	Common Name
VAE	200	<i>Abelmoschus esculentus</i> 'Clemson Spineless'	Clemson Spineless Okra
VAC	427	<i>Allium cepa</i> 'Mercury'	Mercury Red Onion
VAP	427	<i>Allium cepa</i> 'Super Star'	Super Star White Onion
VAA	427	<i>Allium cepa</i> 'White Lisbon Bunching'	White Lisbon Bunching Green Onion
VAY	427	<i>Allium cepa</i> 'Yellow Sweet Spanish'	Yellow Sweet Spanish Sweet Onion
VAO	372	<i>Asparagus officinalis</i> 'Jersey Knight'	Jersey Knight Asparagus
VAF	372	<i>Asparagus officinalis</i> 'Purple Passion'	Purple Passion Asparagus
VBV	1120	<i>Beta vulgaris</i> 'Ruby Queen'	Ruby Queen Beet
VBO	50	<i>Brassica oleracea</i> 'Bubbles'	Bubbles Brussels Sprouts
VBE	79	<i>Brassica oleracea</i> 'Cheers'	Cheers Green Cabbage
VBR	58	<i>Brassica oleracea</i> 'Cruiser'	Cruiser Broccoli
VBA	58	<i>Brassica oleracea</i> 'Green Goliath'	Green Goliath Broccoli
VBC	50	<i>Brassica oleracea</i> 'Royal Marvel'	Royal Marvel Brussels Sprouts
VBO	15	<i>Brassica oleracea</i> 'Ruby Queen'	Blue Lake Pole Bean
VBK	79	<i>Brassica oleracea</i> 'Savory King'	Savory King Cabbage
VBS	250	<i>Brassica oleracea</i> 'Self-Blance'	Self-Blance Cauliflower
VBT	550	<i>Brassica rapa</i> 'Toy Choy'	Toy Choy Pak Choi
VCA	33	<i>Capsicum annuum</i> 'Bell Boy'	Bell Boy Red Bell Pepper
VCN	33	<i>Capsicum annuum</i> 'Better Belle'	Better Belle Green Bell Pepper
VCU	33	<i>Capsicum annuum</i> 'Jalapeno'	Jalapeno Pepper
VCM	33	<i>Capsicum annuum</i> 'Sweet Banana'	Sweet Banana Pepper
VCS	45	<i>Cucumis sativus</i> 'Bush Pickle'	Bush Pickle Cucumber
VCT	45	<i>Cucumis sativus</i> 'Salad Bush'	Salad Bush Cucumber
VCO	48	<i>Cucurbita mopschata</i> 'Ponca'	Ponca Butternut Squash
VCP	32	<i>Cucurbita pepo</i> 'Chefini'	Chefini Zucchini
VCE	48	<i>Cucurbita pepo</i> 'Stripetti'	Stripetti Spaghetti Squash
VDC	650	<i>Daucus carota</i> subsp. <i>sativus</i> 'Little Finger'	Little Finger Carrot
VDA	650	<i>Daucus carota</i> subsp. <i>sativus</i> 'Royal Chantenay'	Royal Chantenay Carrot
VDR	650	<i>Daucus carota</i> subsp. <i>sativus</i> 'Tender Sweet'	Tender Sweet Carrot
VLS	632	<i>Lactuca sativa</i> 'Black-Seeded Simpson'	Black-Seeded Simpson Green Lettuce
VLA	216	<i>Lactuca sativa</i> 'Green Towers'	Green Towers Romaine Lettuce
VLT	216	<i>Lactuca sativa</i> 'Iceberg'	Iceberg Crisphead Lettuce
VLI	216	<i>Lactuca sativa</i> 'Ruby'	Ruby Red Lettuce
VPV	273	<i>Phaseolus vulgaris</i> 'Blue Lake Bush'	Blue Lake Bush Bean
VPU	15	<i>Phaseolus vulgaris</i> 'Blue Lake Pole'	Blue Lake Pole Bean
VPS	91	<i>Pisum sativum</i> 'Green Arrow'	Green Arrow Pea
VPA	91	<i>Pisum sativum</i> 'Snowflake'	Snowflake Snap Pea
VRS	1120	<i>Raphanus sativus</i> 'French Breakfast'	French Breakfast Radish
VRH	56	<i>Rheum x hybridum</i> 'Canada Red'	Canada Red Rhubarb
VSL	93	<i>Solanum lycopersicum</i> 'Cherry Gold'	Cherry Gold Tomato
VSY	75	<i>Solanum lycopersicum</i> 'Floramerica'	Floramerica Tomato
VSC	394	<i>Solanum lycopersicum</i> 'Mountain Spring'	Mountain Spring Tomato
VSO	75	<i>Solanum lycopersicum</i> 'Mountain Belle'	Mountain Belle Tomato
VSP	93	<i>Solanum lycopersicum</i> 'Quick Pick'	Quick Pick Tomato
VSE	159	<i>Solanum lycopersicum</i> 'Roma'	Roma Tomato
VSM	102	<i>Solanum melongena</i> 'Snowy'	Snowy Eggplant
VSN	690	<i>Solanum melongena</i> 'Hanse'	Hanse Eggplant
VSG	102	<i>Solanum melongena</i> 'Ichiban II'	Ichiban II Eggplant
VSA	102	<i>Solanum melongena</i> 'Little Fingers'	Little Fingers Eggplant
VSB	770	<i>Spinacia oleracea</i> 'Giant Nobel'	Giant Nobel Spinach
VSI	770	<i>Spinacia oleracea</i> 'Olympia'	Olympia Spinach
VZM	1464	<i>Zea mays</i> 'Calico Belle'	Calico Belle Sweet Corn
VZA	1788	<i>Zea mays</i> 'Kandy Korn'	Kandy Korn Sweet Corn
VZE	2100	<i>Zea mays</i> 'Tuxedo'	Tuxedo Sweet Corn

Fruits			
Code	Quantity	Scientific Name	Common Name
FCL	40	<i>Citrullus lanatus</i> 'Sugar Baby'	Sugar Baby Watermelon
FCM	52	<i>Cucumis melo cantalupensis</i> 'Bush Star'	Bush Star Cantaloupe
FDC	52	<i>Daucus carota</i> subsp. <i>sativus</i> 'Morning Ice'	Morning Ice Honeydew
FFA	285	<i>Fragaria x ananassa</i> 'Beri Basket'	Beri Basket Strawberry
FFN	285	<i>Fragaria x ananassa</i> 'Pretty in Rose F1'	Pretty in Rose F1 Strawberry
FRA	156	<i>Rubus argutus</i> 'Ilni Hardy'	Ilni Hardy Blackberry
FRI	78	<i>Rubus idaeus</i> 'Goldie'	Goldie Raspberry
FRD	78	<i>Rubus idaeus</i> 'Heritage'	Heritage Raspberry

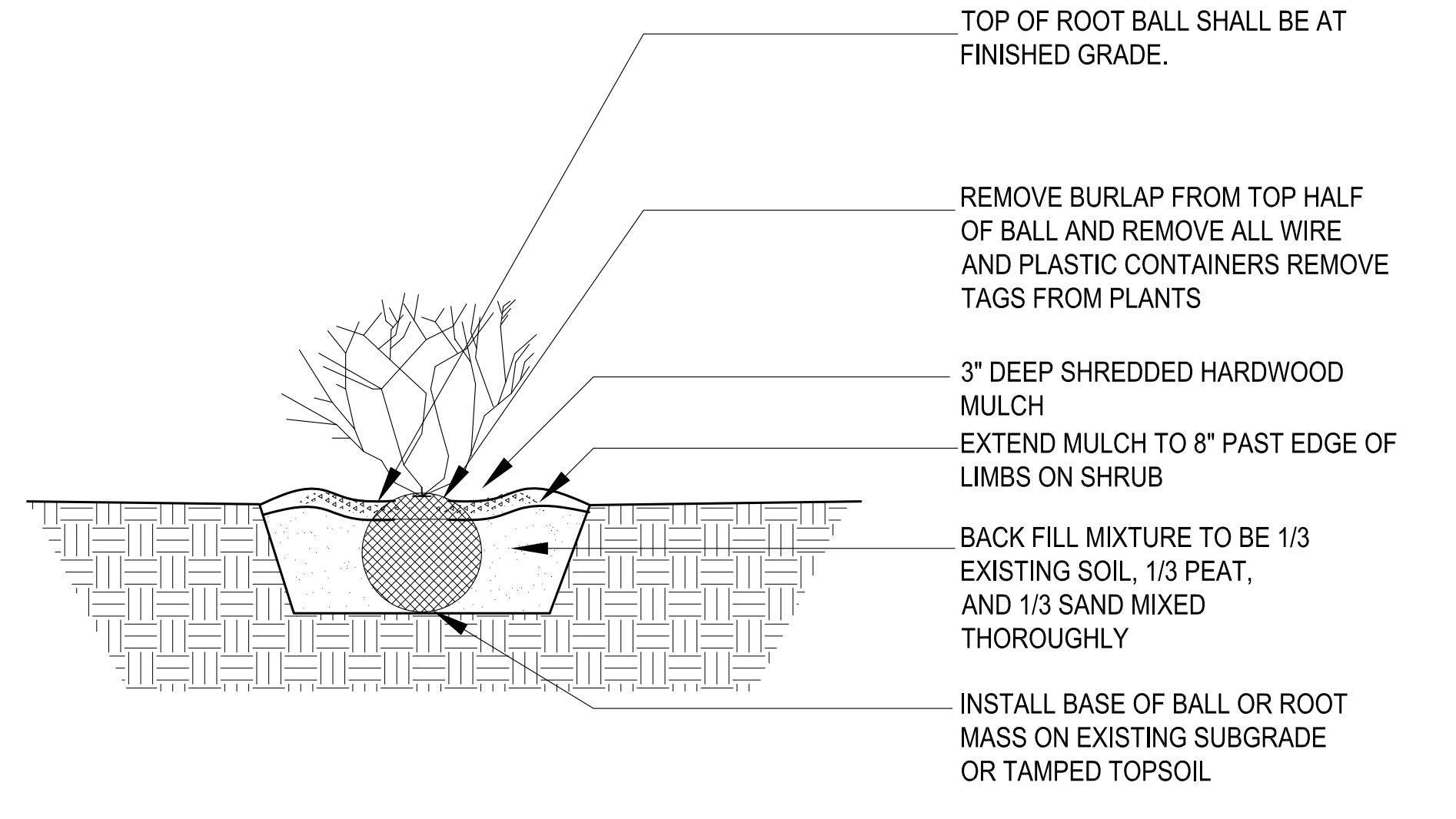
Herbs			
Code	Quantity	Scientific Name	Common Name
HAS	688	<i>Allium schoenoprasum</i> 'Bush Star'	Chives
HAG	540	<i>Anethum graveolens</i>	Dill
HCO	252	<i>Coriandrum officinalis</i> 'Delfino'	Delfino Cilantro
HMH	270	<i>Majorana hortensis</i> 'Sweet'	Sweet Marjoram
HOB	220	<i>Ocimum basilicum</i> 'Sweet Large Leaf Italian'	Sweet Large Leaf Italian Sweet Basil
HOV	18	<i>Origanum vulgare</i>	Oregano
HPC	716	<i>Petroselinum crispum</i> 'Italian Dark Single'	Italian Dark Single Parsley
HRO	36	<i>Rosemarinus officinalis</i>	Rosemary
HSO	70	<i>Salvia officinalis</i>	Sage
HTV	460	<i>Thymus vulgaris</i>	Thyme

GENERAL NOTES: SEEDING
 1. Lawn seeding shall be under favorable weather conditions, and shall follow dates in specification.
 2. Turf mixes shall be installed at all disturbed areas.
 3. See Stormwater Pollution Prevention Plan for erosion control blanket and silt fence locations.
 4. Do not overseed into mulch beds or paving.
 5. See specifications for detailed information on seed mixes, cover of seed, and fertilization.
 6. All vegetable, fruit and herb quantities that are grown from seed, are the quantity of plants that shall be grown, additional seed from this quantity number may be needed.

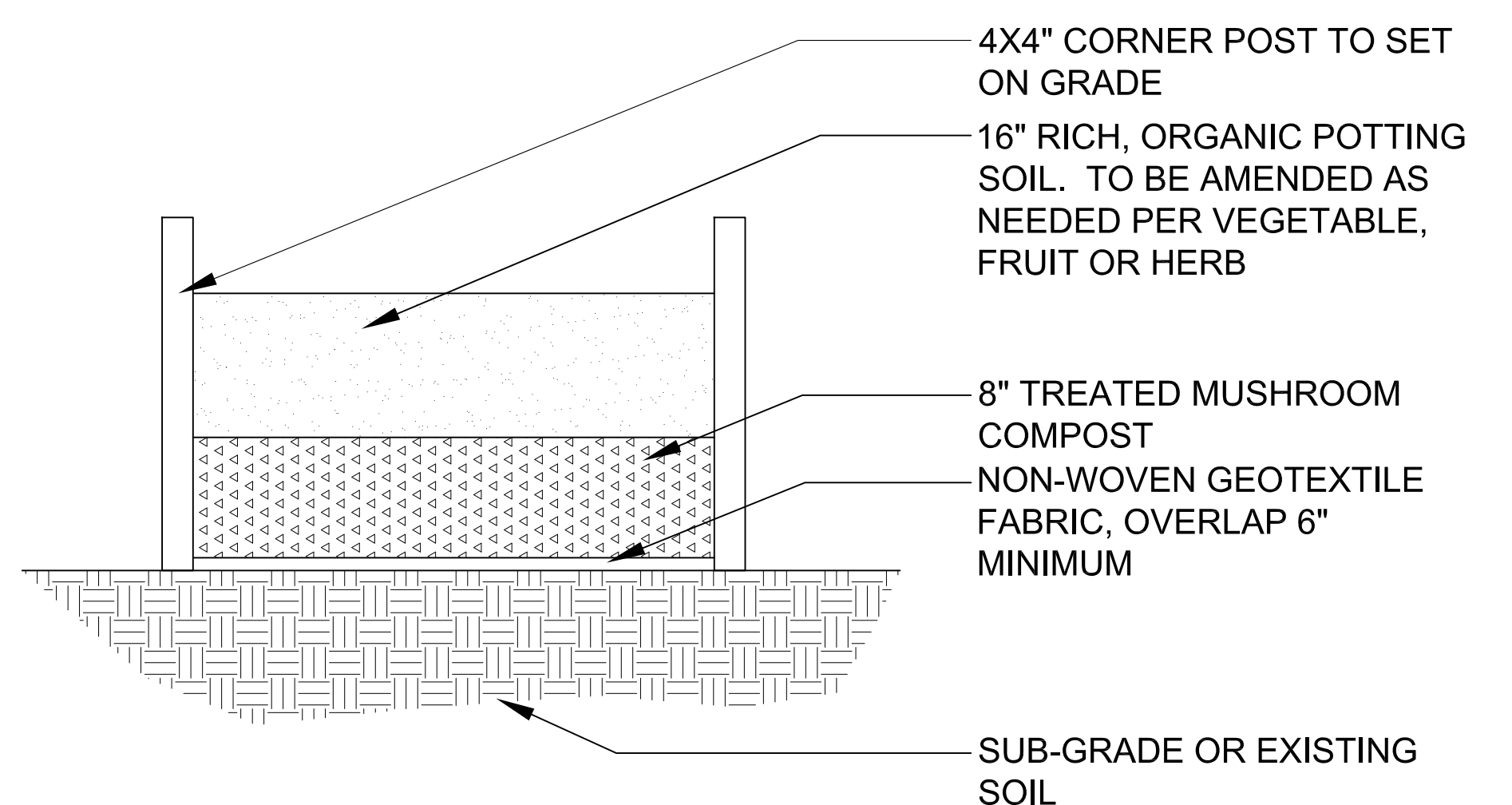
GENERAL NOTES: TREE PRESERVATION
 1. Do not operate vehicles nor store materials under the drip line of existing trees to be saved.
 2. Install 4' height construction fence around each tree to be saved prior to beginning construction. Fence shall remain until all construction is complete. Do not store or stockpile any soil materials within protective tree fence.
 3. Trees to be removed shall be removed completely including stump and roots to 18" below proposed finished grade.



2
L2
Tree Installation
SCALE: NOT TO SCALE
TREE



3
L2
Shrub Installation
SCALE: NOT TO SCALE
SHRUB



4
L2
Raised Planter
SCALE: NOT TO SCALE
PLANTER

JIRIK AND UTTERBACK LANDSCAPES

Temple Hoyne Buell Hall
 611 Loreda Taft Drive
 Champaign, Illinois 61820

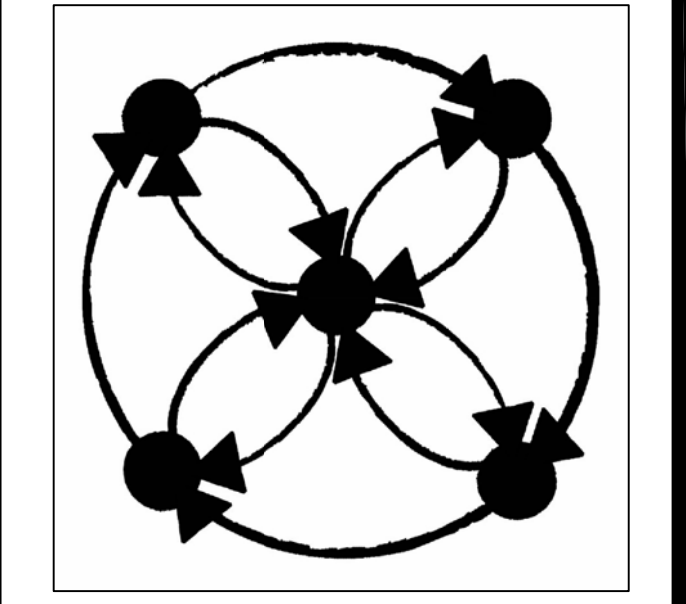
Prepared For:

ESLARP
 East St. Louis, Illinois

Project:

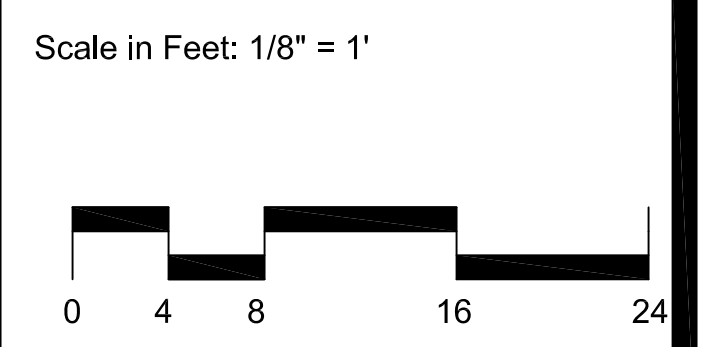
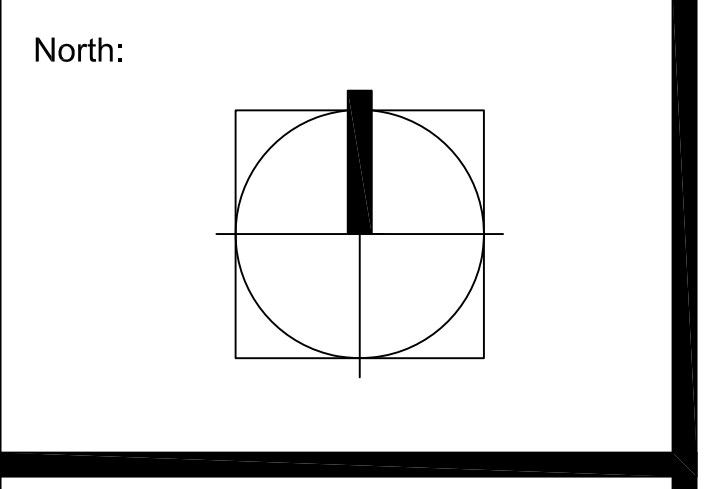
Eagle's Nest

East St. Louis, Illinois



Issued: 12 / 17 / 2008

Revisions		
No.	Date	Description



Planting Plan

Sheet:

L2
of 2

GENERAL NOTES: LANDSCAPING
 1. Contractor is responsible for locating all utilities prior to beginning (and during) construction. Contact j.u.l.i.e. at 1-800-892-0123.
 2. All existing plant material and street trees shall be saved and protected, unless noted to be removed.
 3. Plant material shall be dug the planting season it is installed, and shall conform to the American Association of Nurseryman's standards.
 4. Plant material shall be size and type specified. Substitution of plant material shall be on a case by case basis and approved in writing by the Owner. In no case shall plant material be smaller than indicated in the plans.
 5. Final grade of planting beds shall be as per grading plan.
 6. Do not willfully proceed with plantings as designed when it is obvious that obstructions and/or grade differences exist that may not have been known during the design process. Such conditions shall be immediately brought to the attention of the Owner's Representative.
 7. Plant locations shall be flagged in field by Owner. Final location of all plant material shall be subject to approval of the Owner's Representative with 48 hour minimum advance notice prior to planting.
 8. Plants shall be watered on the day they are planted and maintained with watering until final acceptance of project.
 9. Apply pre-emergent as per manufacturer's specification prior to installing mulch.
 10. Beds and tree rings (6' diameter) shall have 3" of treated hardwood shredded mulch applied and a 4" deep spade edge at lawn
 11. Landscape plant material shall be guaranteed for 12 months from final acceptance of project. Any plant 1/2 dead or more shall be replaced under the guarantee.