

PREPARED BY:
HAEMEE HAN
TIFFANY WILLIAMS



611 E LORAD TAFT DRIVE
325 TEMPLE HOYNE BUELL
HALL
CHAMPAIGN IL 61820
217.766.3435

PREPARED FOR:
JOSEPH CENTER
EAGLE'S NEST

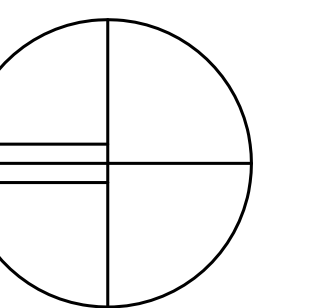
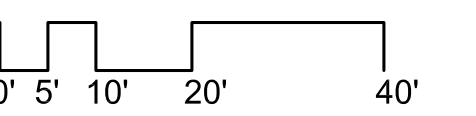
CLASS : LA 452
INSTRUCTOR : G.FULTON
J.URBAN

PROJECT:
THE EAGLE'S NEST
- SHELTER FOR
HOMELESS
VETERANS

UNIVERSITY OF ILLINOIS
URBANA-CHAMPAIGN

PLAN

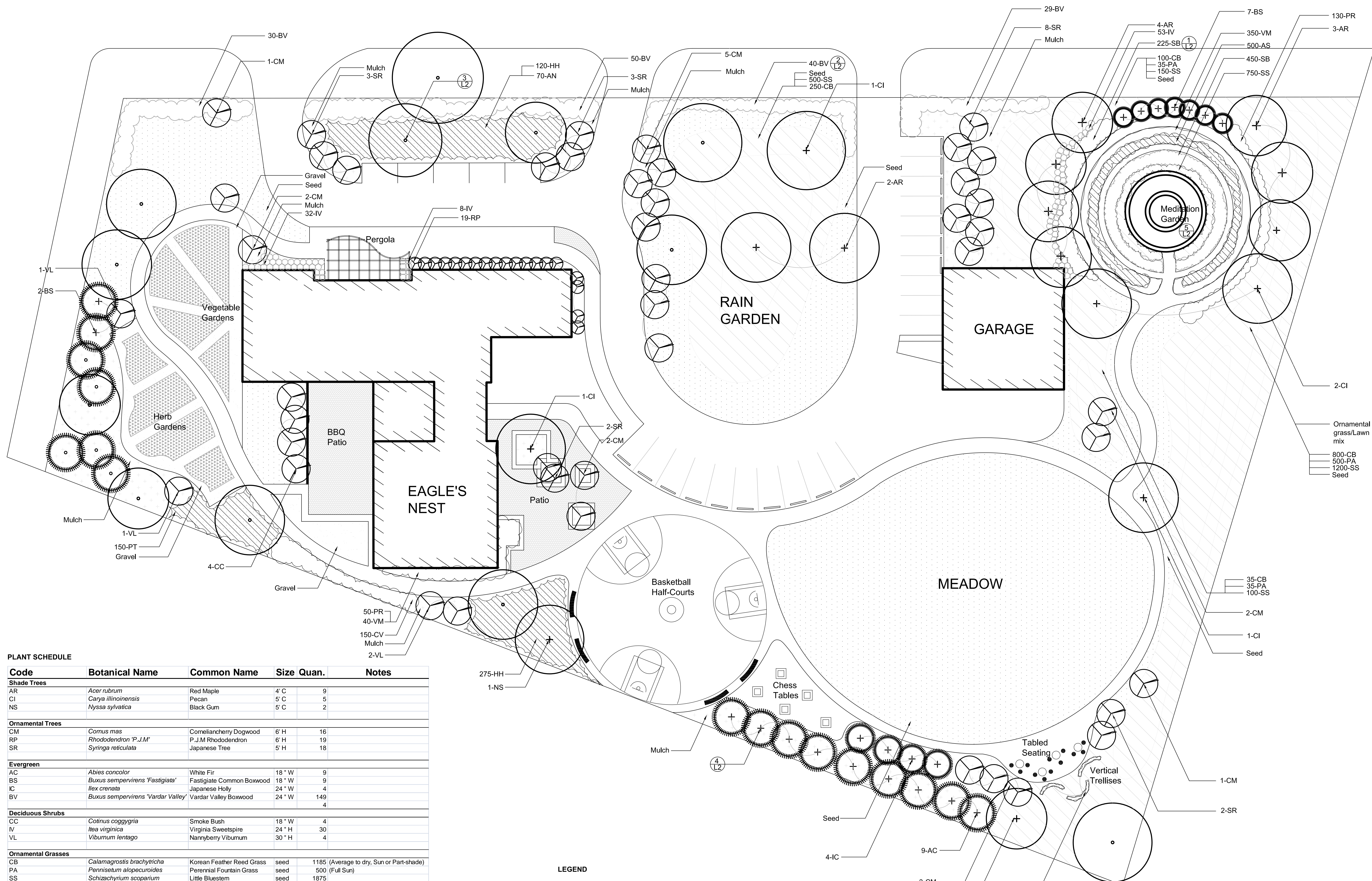
SCALE :
1" = 20' - 0"



NORTH

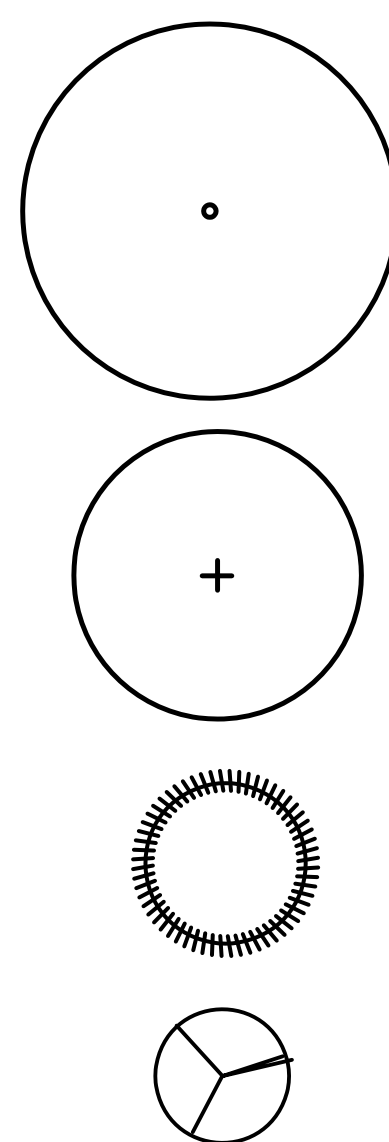
SHEET
L1
of 2

DATE
Dec-16-2008



Code	Botanical Name	Common Name	Size	Quan.	Notes
Shade Trees					
AR	<i>Acer rubrum</i>	Red Maple	4' C	9	
CI	<i>Carya illinoensis</i>	Pecan	5' C	5	
NS	<i>Nyssa sylvatica</i>	Black Gum	5' C	2	
Ornamental Trees					
CM	<i>Cornus mas</i>	Corneliancherry Dogwood	6' H	16	
RP	<i>Rhododendron 'P.J.M'</i>	P.J.M Rhododendron	6' H	19	
SR	<i>Syringa reticulata</i>	Japanese Tree	5' H	18	
Evergreen					
AC	<i>Abies concolor</i>	White Fir	18" W	9	
BS	<i>Buxus sempervirens 'Fastigiata'</i>	Fastigate Common Boxwood	18" W	9	
IC	<i>Ilex crenata</i>	Japanese Holly	24" W	4	
BV	<i>Buxus sempervirens 'Vardar Valley'</i>	Vardar Valley Boxwood	24" W	149	
Deciduous Shrubs					
CC	<i>Cotinus coccinifera</i>	Smoke Bush	18" W	4	
IV	<i>Itea virginica</i>	Virginia Sweetspire	24" H	30	
VL	<i>Viburnum lentago</i>	Nannyberry Viburnum	30" H	4	
Ornamental Grasses					
CB	<i>Calamagrostis brachytricha</i>	Korean Feather Reed Grass	seed	1185 (Average to dry, Sun or Part-shade)	
PA	<i>Pennisetum alopecuroides</i>	Perennial Fountain Grass	seed	500 (Full Sun)	
SS	<i>Schizachyrium scoparium</i>	Little Bluestem	seed	1875	
Groundcover/Perennials/bulbs					
AN	<i>Athyrium niponicum var. pictum</i>	Japanese Painted Fern	1 gal	70	Groundcover, shady spots
AS	<i>Astilbe 'Rheinland'</i>	Astilbe	1 gal	400	
CV	<i>Coreopsis verticillata 'Moonbeam'</i>	Threadleaf Coreopsis	1 gal	150	
DA	<i>Dichondra argentea 'Silver Falls'</i>	Dichondra	1 gal	25	Height: 6-12 in. (15-30 cm)
HH	<i>Hedra helix</i>	English Ivy	3' pot	395	
PR	<i>Perovskia atriplicifolia</i>	Russian Sage	1 gal	255	
PT	<i>Pachysandra terminalis</i>	Japanese Pachysandra	1 gal	150	
SB	<i>Stachys byzantina 'Big Ears'</i>	Lamb's Ears	1 gal	525	
VM	<i>Vinca minor 'Alba'</i>	White Periwinkle	1 gal	390	
Landscape Accessories					
	Pea Gravel			C.Y.	
	Hardwood Mulch			C.Y.	
Vegetable					
	Tomato		seed		
	Cucumbers		seed		
	Broccoli		seed		
	Green Beans		seed		
	Red Sweet Onions		seed		
	Seed Potato		seed		
Herbs					
	Cuban Basil		seed		
	Chives		seed		
	Cilantro		seed		
	Peppermint		seed		
	Spearmint		seed		
	Italian Parsley		seed		
	Rosemary		seed		

LEGEND



EXISTING DECIDUOUS TREE

PROPOSED DECIDUOUS TREE

EVERGREEE

ORNAMENTAL TREE

ORNAMENTAL GRASS MIX

SEED

MULCH

VEGETABLE AND HERB

GRAVEL

GENERAL PLANTING NOTES

- 1) Plant quantities shown in the plan list are provided for the convenience of the Contractor only. Contractor shall provide plants at the size and description specified in sufficient quantities to complete the work as shown on the Planting Plan.
- 2) Locations for existing utilities shown on these plans are approximate only. Contractor shall verify the locations of all utilities and shall be responsible for any damage to some.
- 3) Landscape Contractor shall coordinate his work with the work of other contractors.
- 4) Trees may be located by using scaled dimensions from the nearest building, curb walk, etc.
- 5) The Landscape Architect reserves the right to reject any plant material not meeting the specifications.
- 6) Contractor shall exhibit first class workmanship and attention to detail in the layout of all landscape elements. Maintain smooth, consistent, and uniform edges along all planting beds that reflect the shape delineated on the drawings. Plants within mass planting areas should be installed with attention to uniform spacing and alignment, and with good horticultural judgment and regard to setbacks from walks, lawn, or other plants.
- 7) Planting adjacent to the front of parking spaces shall be set a minimum of 3' - 0" behind the curb.
- 8) Contractor shall mulch all planting beds and individual plantings with pine needles (3" layer after thorough wetting.) Pine needles shall be clean and free of pine cones, sticks, pernicious weeds and soil materials.
- 9) Contractor shall grass all disturbed areas of the site, not shown otherwise, according to the specifications.

SOIL/SEEDBED PREPARATION

- 1) Chisel compacted areas and spread topsoil 3 inches deep over adverse soil conditions, if they occur. After all rough grading is completed, till soil areas to be seeded and planted to a depth of five inches.
- 2) Remove all loose rocks, roots, dirt clods, and other obstructions leaving ground surface smooth and uniform.
- 3) To prepare uniform seedbed, incorporate agricultural lime, fertilizer and superphosphate into soil areas to be vegetated, disk nutrients into soil until well pulverized.
- 4) Seed on prepared seedbed and cover lightly with seeding equipment or cultipack. Apply temporary seeding to soil stockpile areas that will be disturbed within 30 days. Apply permanent seeding to where finish grades are established.
- 5) Mulch immediately after seeding and anchor with liquid asphalt at 400 gall/acre or emulsified asphalt at 300 gall/acre.
- 6) Mulch all seeded areas with small grain straw at 90 lbs/1000sf and spread uniformly. Ground surface should be visible to allow sunlight penetration.
- 7) Mulch around shrubbery and trees with shredded hardwood to a depth of 3 inches.
- 8) After work is completed and areas are stabilized, call erosion control officer for site inspection and receive certificate of completion. Remove all temporary erosion control measures. Install rip-rap, and seed and mulch any remaining bare areas.

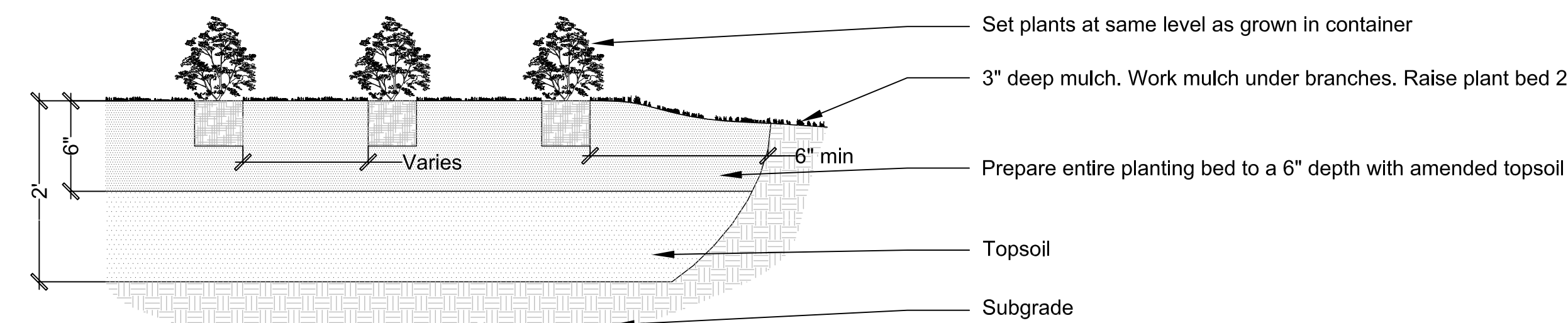
LANDSCAPE MAINTENANCE/MANAGEMENT PLAN

The owners of the property and their agents, heirs, or assigns shall be responsible for the installation, preservation, and maintenance of all planting and physical features shown on this plan. The owners shall be responsible for annual maintenance of the vegetation to include but not be limited to:

1. Fertilization
2. Pruning within limits
3. Pest control
4. Mulching
5. Mowing
6. Protection of the root zones from equipment, construction, and related materials
7. Watering schedule of Irrigation system
8. Other continuing maintenance operations

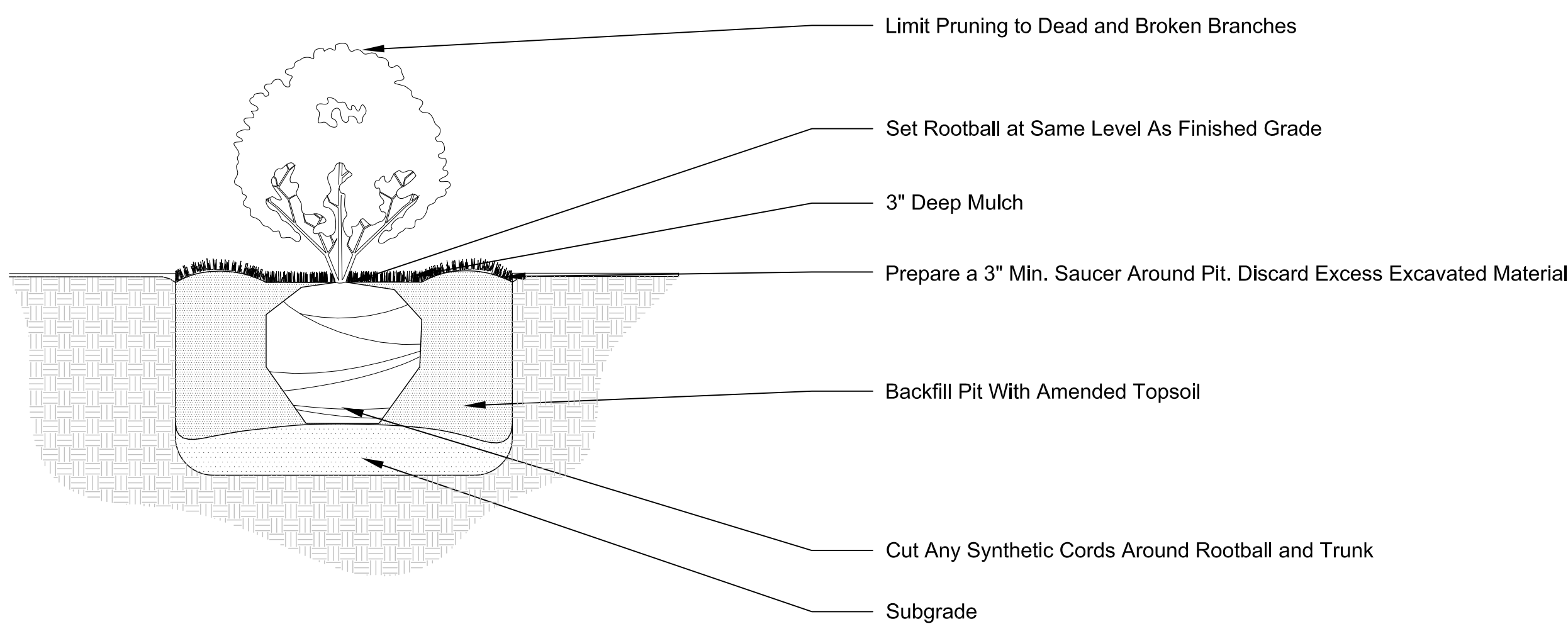
PLANT SCHEDULE

Code	Botanical Name	Common Name	Size	Quan.	Notes
Shade Trees					
AR	<i>Acer rubrum</i>	Red Maple	4' C	9	
CI	<i>Carya illinoensis</i>	Pecan	5' C	5	
NS	<i>Nyssa sylvatica</i>	Black Gum	5' C	2	
Ornamental Trees					
CM	<i>Cornus mas</i>	Corneliancherry Dogwood	6' H	16	
RP	<i>Rhododendron 'P.J.M'</i>	P.J.M Rhododendron	6' H	19	
SR	<i>Syringa reticulata</i>	Japanese Tree	5' H	18	
Evergreen					
AC	<i>Abies concolor</i>	White Fir	18" W	9	
BS	<i>Buxus sempervirens 'Fastigiata'</i>	Fastigiata Common Boxwood	18" W	9	
IC	<i>Ilex crenata</i>	Japanese Holly	24" W	4	
BV	<i>Buxus sempervirens 'Vardar Valley'</i>	Vardar Valley Boxwood	24" W	149	
Deciduous Shrubs					
CC	<i>Cotinus coggygria</i>	Smoke Bush	18" W	4	
IV	<i>Itea virginica</i>	Virginia Sweetspire	24" H	30	
VL	<i>Viburnum lentago</i>	Nannyberry Viburnum	30" H	4	
Ornamental Grasses					
CB	<i>Calamagrostis brachytricha</i>	Korean Feather Reed Grass	seed	1185	(Average to dry, Sun or Part-shade)
PA	<i>Pennisetum alopecuroides</i>	Perennial Fountain Grass	seed	500	(Full Sun)
SS	<i>Schizachyrium scoparium</i>	Little Bluestem	seed	1875	
Groundcover/Perennials/bulbs					
AN	<i>Athyrium niponicum var. pictum</i>	Japanese Painted Fern	1 gal	70	Groundcover, shady spots
AS	<i>Asilbe 'Rheinland'</i>	Asilbe	1 gal	400	
CV	<i>Coreopsis verticillata 'Moonbeam'</i>	Threadleaf Coreopsis	1 gal	150	
DA	<i>Dichondra argentea 'Silver Falls'</i>	Dichondra	1 gal	25	Height: 6-12 in. (15-30 cm)
HH	<i>Hedra helix</i>	English Ivy	3" pot	395	
PR	<i>Perovskia atriplicifolia</i>	Russian Sage	1 gal	255	
PT	<i>Pachysandra terminalis</i>	Japanese Pachysandra	1 gal	150	
SB	<i>Stachys byzantina 'Big Ears'</i>	Lamb's Ears	1 gal	525	
VM	<i>Vinca minor 'Alba'</i>	White Periwinkle	1 gal	390	
Landscape Accessories					
	Pea Gravel			C.Y.	
	Hardwood Mulch			C.Y.	
Vegetable					
	Tomato		seed		
	Cucumbers		seed		
	Broccoli		seed		
	Green Beans		seed		
	Red Sweet Onions		seed		
	Seed Potato		seed		
Herbs					
	Cuban Basil		seed		
	Chives		seed		
	Cilantro		seed		
	Peppermint		seed		
	Spearmint		seed		
	Italian Parsley		seed		
	Rosemary		seed		



1
L 2
Deciduous Tree

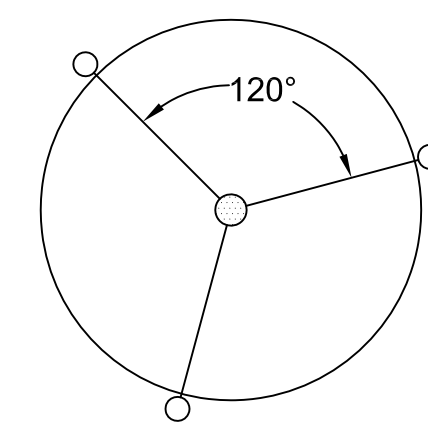
Scale : 3/4" = 1' - 0"



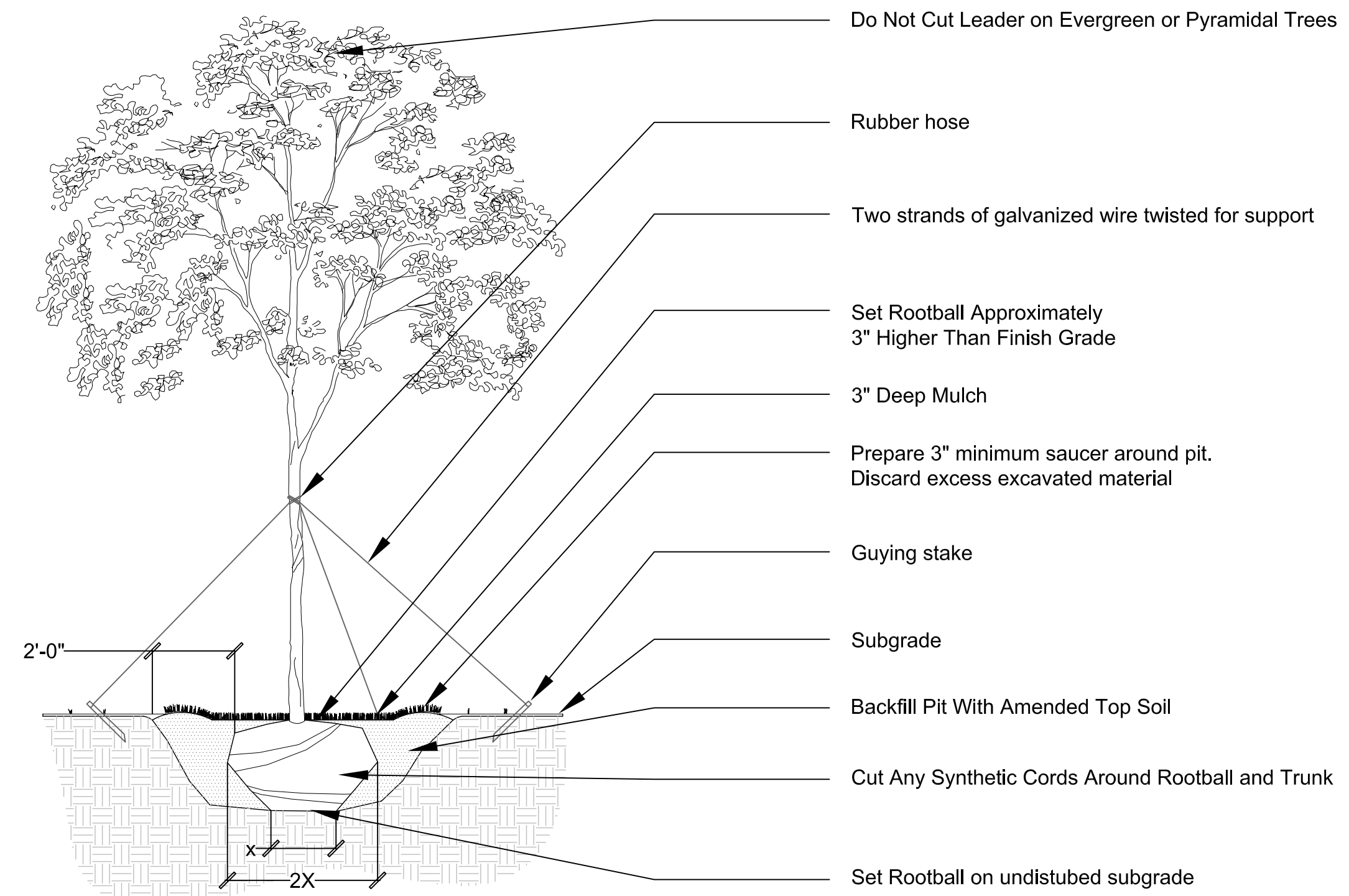
2
L 2
Deciduous Tree

Scale : 3/4" = 1' - 0"

- NOTES:
- Place trunk in center of planting pit
 - Water the tree within 24 hours of planting. Or, water daily if not planted.
 - Loosen soil before planting tree to allow root expansion
 - Structural soil is formulated to allow growth of trees in various planting types.



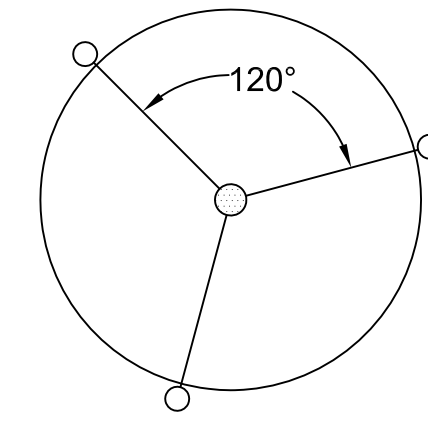
Plan view : Not to scale



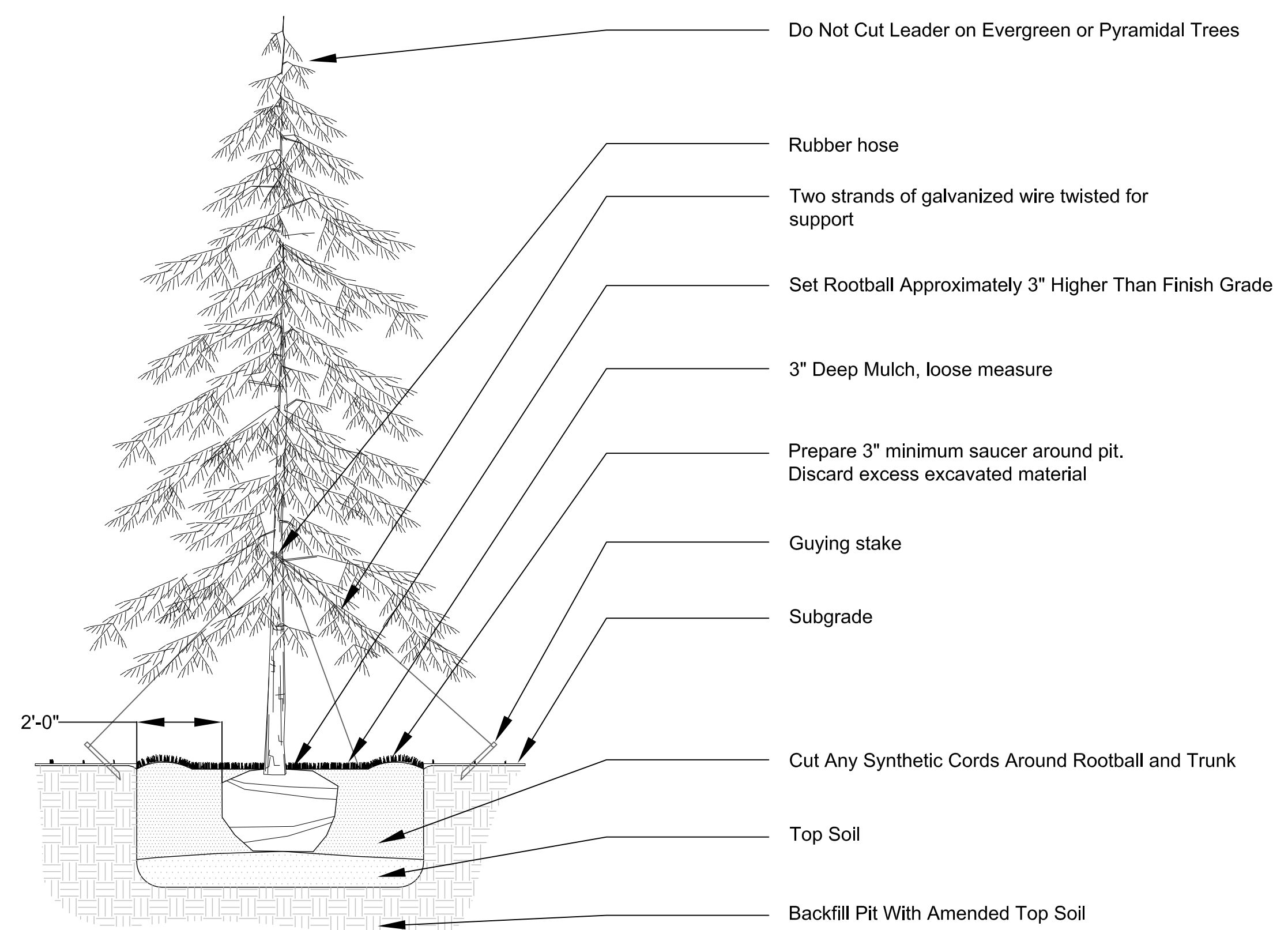
3
L 2
Deciduous Tree

Scale : 1/4" = 1' - 0"

- NOTES:
- Set tree higher than finished grade to allow for settlement
 - Water the tree within 24 hours of planting. Or, water daily if not planted.
 - Loosen soil before planting tree to allow root expansion
 - Structural soil is formulated to allow growth of trees in various planting types.

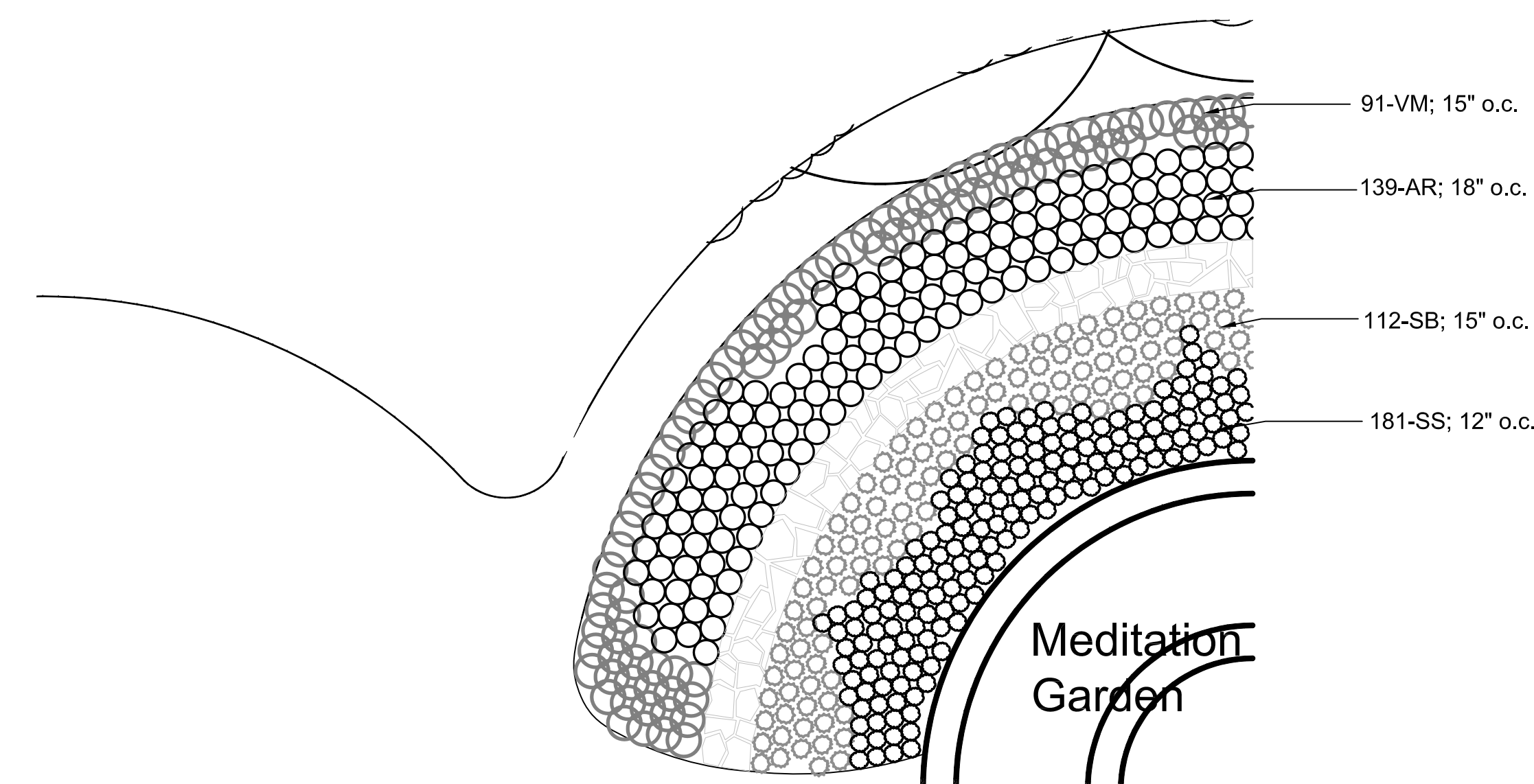


Plan view : Not to scale



4
L 2
Evergreen Tree

Scale : 1/4" = 1' - 0"



5
L 2
Meditation Garden Planting Blow-Up Plan

Scale : 1/8" = 1' - 0"

PREPARED BY:
HAEMEE HAN
TIFFANY WILLIAMS



611 E LORAD TAFT DRIVE
325 TEMPLE HOYNE BUELL HALL
CHAMPAIGN IL 61820
217.766.3435

PREPARED FOR:

JOSEPH CENTER
EAGLE'S NEST

CLASS : LA 452
INSTRUCTOR : G.FULTON
J.URBAN

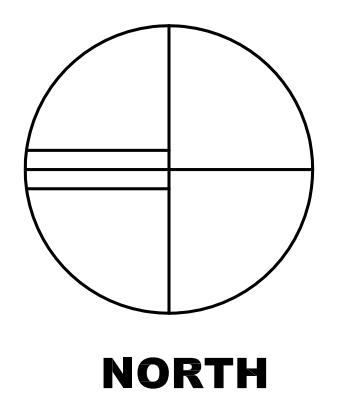
PROJECT:

THE EAGLE'S NEST
- SHELTER FOR
HOMELESS
VETERANS

UNIVERSITY OF ILLINOIS
URBANA-CHAMPAIGN

PLANTING
DETAILS

SCALE :
AS SHOWN



SHEET
L2
of 2

DATE
Dec-16-2008